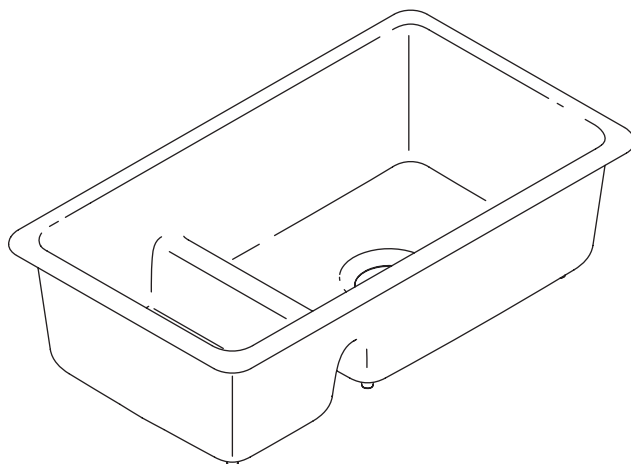


# KOHLER®

## Cast Iron



### Iron Tones Smart Divide Undercounter Kitchen Sink Installation and User Guide

#### MODEL NUMBERS

6625-0

**Important!** Please quote the above model number(s) when ordering spares

#### IMPORTANT

**INSTALLER:** THIS MANUAL IS THE PROPERTY OF THE CUSTOMER AND MUST BE RETAINED WITH THE PRODUCT FOR MAINTENANCE AND OPERATIONAL PURPOSES.

## THANK YOU FOR CHOOSING KOHLER COMPANY

Thank you for choosing Kohler Company. Your Kohler Company product reflects the true passion for design, craftsmanship, artistry, and innovation Kohler Company stands for. We are confident its dependability and beauty will surpass your highest expectations, satisfying you for years to come.

All the information in this guide is based upon the latest product information available at the time of publication. At Kohler Company, we strive to fulfil our mission of improving the level of gracious living for each person who is touched by our products and services. We reserve the right to make changes in product characteristics, packaging, or availability at any time without notice.

Please take a few minutes to review this guide. If you encounter any installation or performance problems, please call the customer Care number on the back page of this guide.

## USER MAINTENANCE

For best results, keep the following in mind when caring for your KOHLER product:

- Always test your cleaning solution on an inconspicuous area before applying to the entire surface.
- Wipe surfaces clean and rinse completely with water immediately after applying cleaner. Rinse and dry any overspray that lands on nearby surfaces.
- Do not allow cleaners to soak on surfaces.
- Use a soft, dampened sponge or cloth. Never use an abrasive material such as a brush or scouring pad to clean surfaces.
- Be careful not to leave staining materials in contact with the surface for extended periods of time.
- The ideal cleaning technique is to rinse thoroughly and blot dry any water from the surface after each use.

Kohler offer a range of kitchen sink accessories such as bottom basin racks and rinse baskets to help protect the surface from scratches.

# IMPORTANT INFORMATION

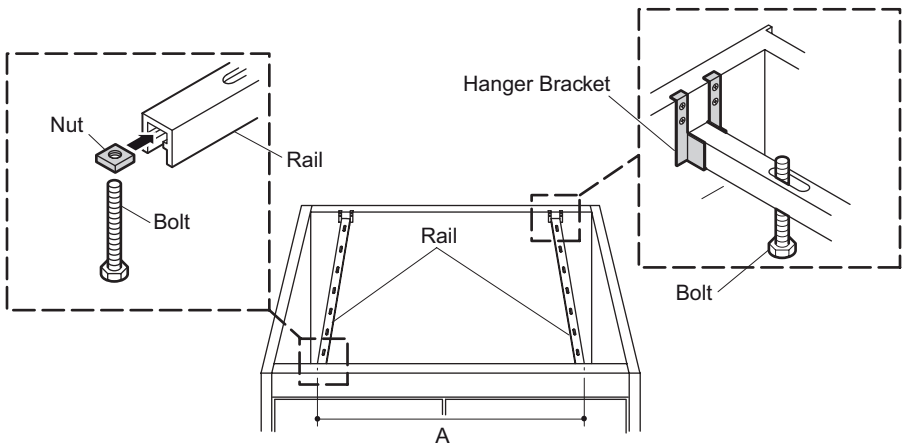
**Caution!** Cast iron sinks are very heavy. Get assistance lifting the sink.

**Important!** Using a wood support frame is an installation option for all undercounter cast iron sinks, but is required for non-rectangular sinks.

- Undercounter sinks should be installed by experienced installers.
- To ensure a safe and damage-free installation, two people should install the sink.
- Prior to installation, unpack the new sink and inspect it for damage. Return the sink to its protective carton until you are ready to install it.
- Plan the sink installation so future removal from underneath the countertop is possible without damaging the countertop. Do not use adhesive sealants.
- Use proper fasteners and techniques to ensure that the frame will support a minimum of 136 kg (300 lbs). Locate the fasteners for easy access in the event the sink needs to be removed.
- A cabinet with a minimum width of 914 mm (36") is recommended for this installation.
- Observe all local plumbing and building codes.

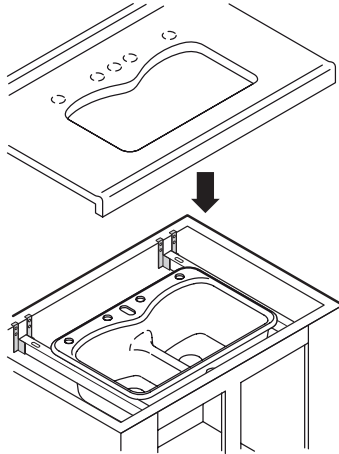
# INSTALLATION

## Install Using the Undermount Kit

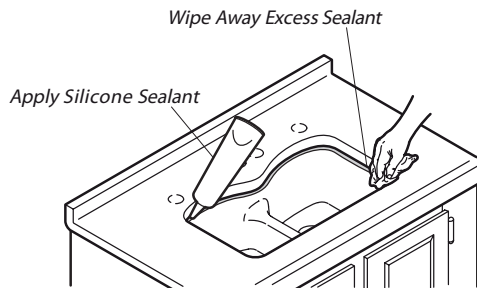


1. Thread the bolts into the nuts two turns.
2. Slide the nuts into the slots in the rails.
3. Position the bolts through the rail slots where the corners of the sink will be located.

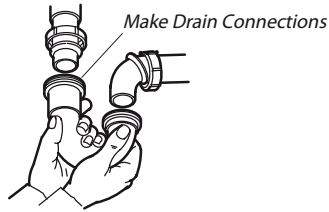
4. Fit a hanger bracket onto the end of each rail.
5. Position the rail assemblies into the cabinet running front-to-back.
6. Measure the overall width of your sink. This distance represents the distance "A" between the outside edges of the rails as shown in the illustration.
7. Position the hanger brackets according to distance "A" and mark the screw hole locations onto the cabinet.
8. Drill 3 mm starter holes at each marked location.
9. Secure the hanger brackets in position with suitable screws.



10. Lower the sink into the cabinet. Make sure that the sink is supported by the undermount kit.
11. Make sure that the sink is level, make any adjustments as necessary using the screws located at each corner of the sink.
12. Install the countertop.

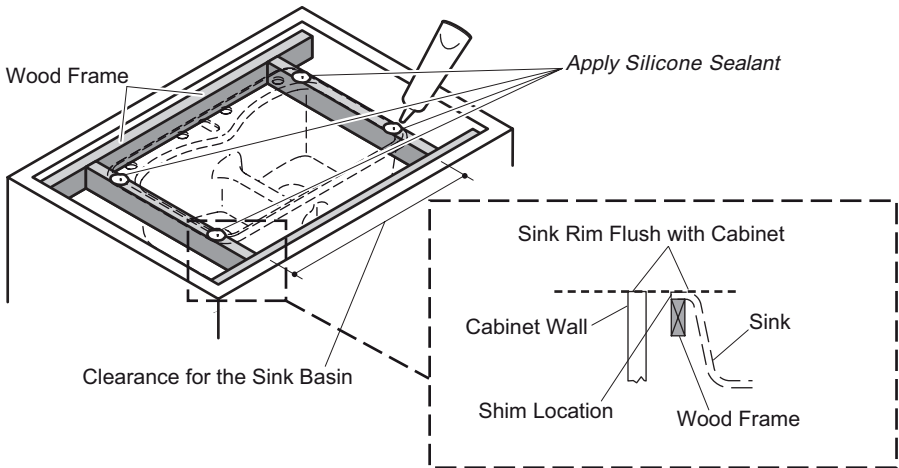


13. Apply a thin bead of silicone sealant where the sink meets the countertop. Immediately wipe away any excess sealant with a damp cloth. Fill any voids if needed.
14. Allow the sealant to cure for at least 30 minutes before proceeding.



15. Complete the tap and drain connections.
16. Run water into the sink and check all connections for leaks.

## Install Using a Wood Frame Support

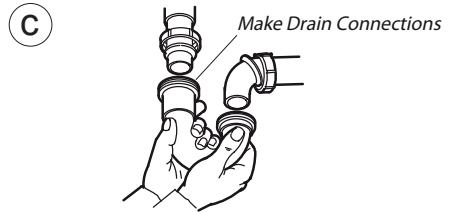
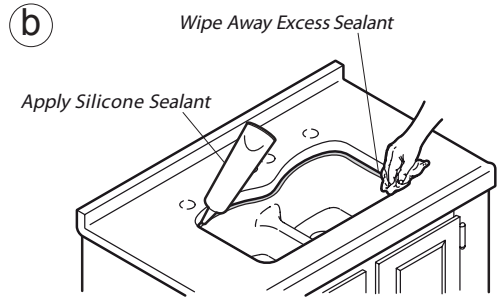
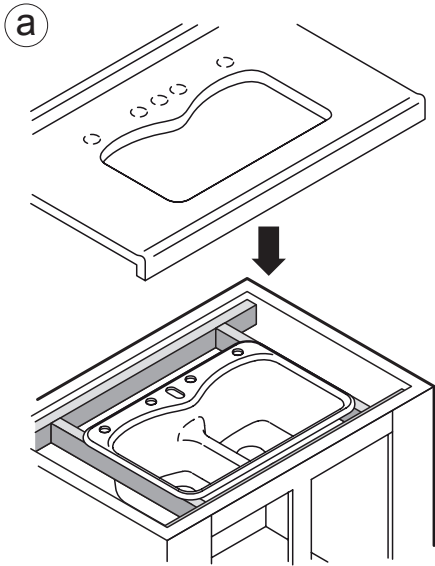


1. Measure the cabinet opening where the sink will be installed. Plan for adequate clearance between the tap handles and the backsplash or finished wall.
2. Construct a wood frame for the inside of the cabinet. Allow adequate clearance for the tap plumbing and the sink basin. Make sure that the frame will support the entire sink rim.

**Important!** The frame should be located so that once the sink is installed, the top of the sink rim will be flush with the top of the cabinet walls.

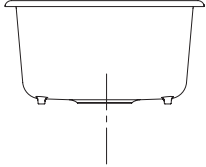
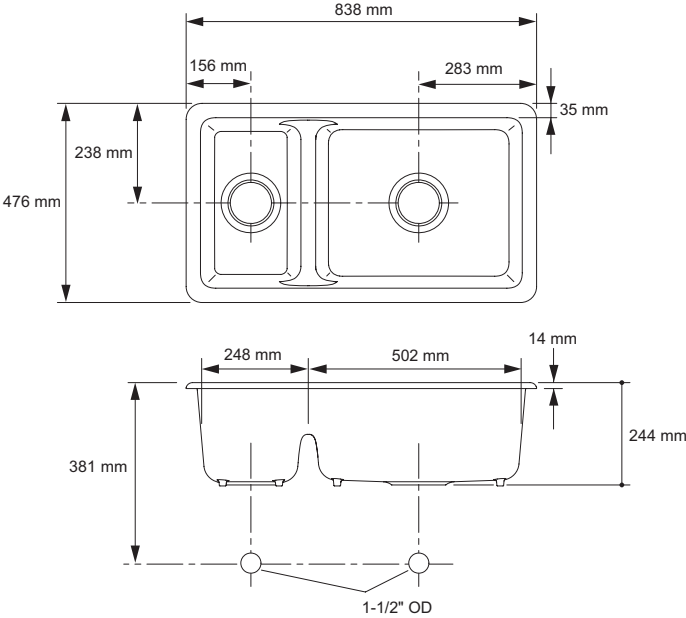
**Note!** If needed, shims can be used to bring the sink rim flush with the cabinet walls.

3. Position the wood frame within the cabinet and secure. Locate the fasteners for easy access in case the sink needs to be removed.
4. Apply a 25 mm (1") bead of sealant at each corner of the wood frame where it will contact the sink.



5. Install the countertop.
6. Apply a thin bead of silicone sealant where the sink meets the countertop. Immediately wipe away any excess sealant with a damp cloth. Fill any voids if needed.
7. Allow the sealant to cure for at least 30 minutes before proceeding.
8. Complete the tap and drain connections.
9. Run water into the sink and check all connections for leaks.

# DIMENSIONS



All Dimensions in mm

# CUSTOMER CARE

## Guarantee of Quality

Kohler UK guarantee products against any defect of materials or workmanship for the following periods

# 25 Years

Ceramic Ware and Cast Products

# 10 Years

Stainless Steel Products and, Acrylic Baths

# 5 Years

Shower Valves, Taps, Cistern  
Fittings, Toilet Seats and Bath  
Panels

# 2 Years

Bathroom Furniture and  
Accessories

# 1 Year

Whirlpool / Spa Baths

**Our confidence in the quality and reliability of our superior products enables us to offer a comprehensive guarantee for all products.**

To register and fully benefit from this guarantee you must return the enclosed product registration card indicating the Kohler items you have purchased.

Within the guarantee period we will undertake to resolve any material defects, by providing replacement parts, modules or complete product, as we deem appropriate. To be free of charge, work must only be undertaken by Kohler UK approved personnel.

To ensure that any problems can be promptly resolved you must contact Kohler UK directly.

Proof of purchase must be provided with any claims.

This guarantee covers products in domestic use, installed and maintained in accordance with the instructions. It covers the purchaser only and is not transferable.

### Commercial / Business Use

Any Kohler Bathroom product used within a commercial / business premise is guaranteed for **1 Year** against any defect of materials or workmanship.

### Not Covered by this Guarantee

Damage or defects arising from incorrect installation, improper use or lack of maintenance.

Installed product damaged in transit Consequential loss, damage or product removal and installation costs.

General wear and tear.

This guarantee is in addition to your statutory and other legal rights.

### To Contact Us

#### Kitchen and Bathroom Taps and Accessories

Tel: 0870 240 7896

Fax: 01242 282 595

Email: [technical@mirashowers.com](mailto:technical@mirashowers.com)

Website: [www.kohler.co.uk](http://www.kohler.co.uk)

#### Showers and Fittings

Tel: 0870 241 0888

Fax: 0844 4723063

Email: [technical@mirashowers.com](mailto:technical@mirashowers.com)

Website: [www.kohler.co.uk](http://www.kohler.co.uk)

#### All other Kohler Products

Tel: 0870 850 5551

Fax: 0870 850 5552

Email: [info@kohleruk.com](mailto:info@kohleruk.com)

Website: [www.kohler.co.uk](http://www.kohler.co.uk)

Kohler Mira Ltd  
Cromwell Road,  
Cheltenham GL52 5EP.

The company reserves the right to alter  
product specifications without notice.

# KOHLER.